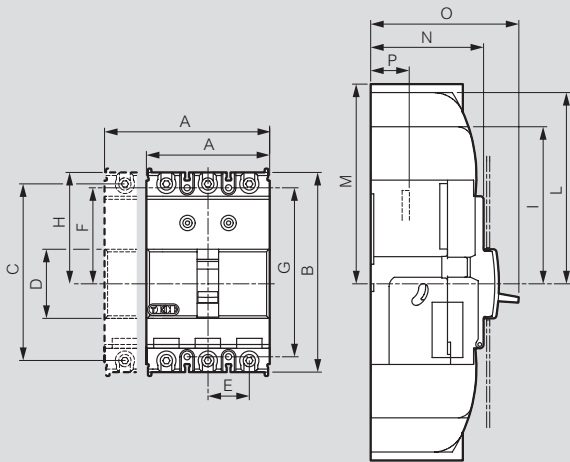


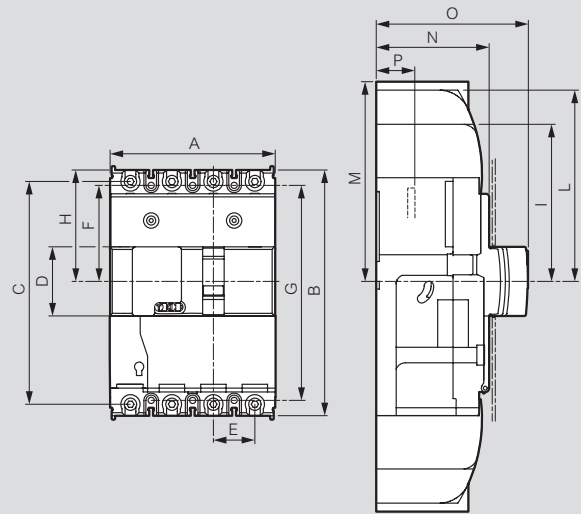
# DPX<sup>3</sup> 160 thermal magnetic

## Dimensions

### Fixed version

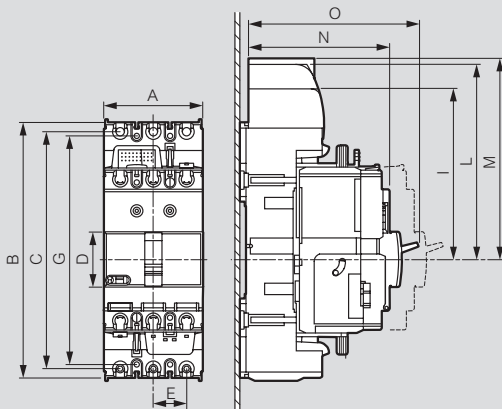


### Fixed version with earth leakage module

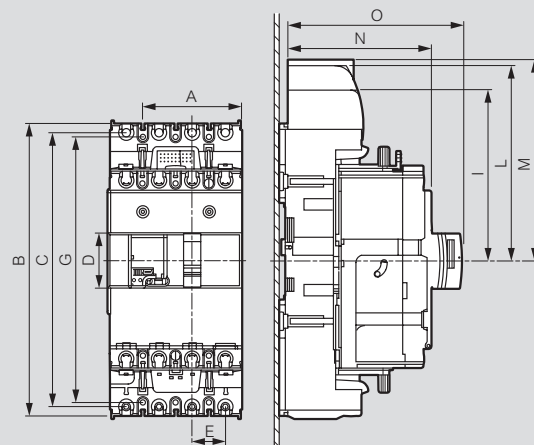


	A	B	C	D	E	F	G	H	I	L	M	N	O	P
3P	81	130	115	45	27	62,5	110	72,5	102,5	125	-	74	100	18
4P	108	130	115	45	27	62,5	110	72,5	102,5	125	-	74	100	18
e.l.c.bs	108	160	145	45	27	62,5	140	72,5	102,5	125	-	74	100	18

### Plug-in version



### Plug-in version with earth leakage module

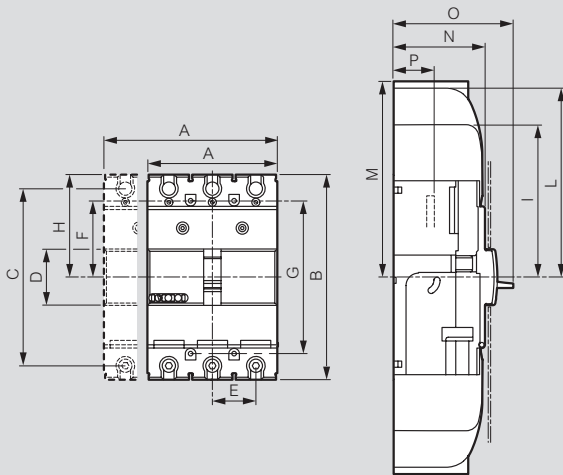


	A	B	C	D	E	F	G	H	I	L	M	N	O	P
3P	81	208	193	45	27	100,5	186	111,5	141,5	164	-	122	148	-
4P	108	238	223	45	27	100,5	216	111,5	141,5	164	-	122	148	-
e.l.c.bs	108	230	223	45	27	100,5	216	111,5	141,5	164	-	122	148	-

# DPX<sup>3</sup> 250 thermal magnetic and electronic release

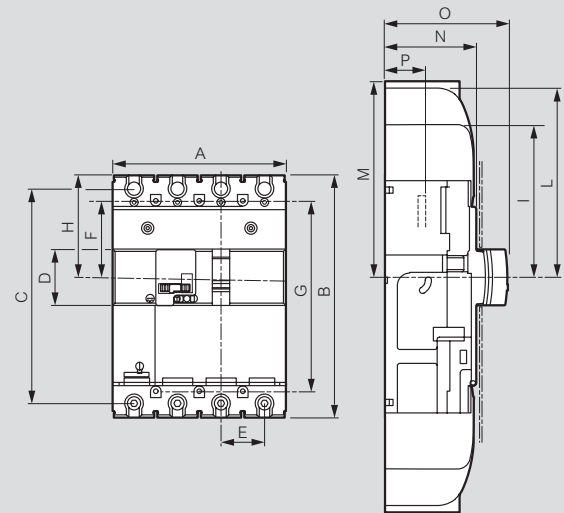
## Dimensions

### Fixed version

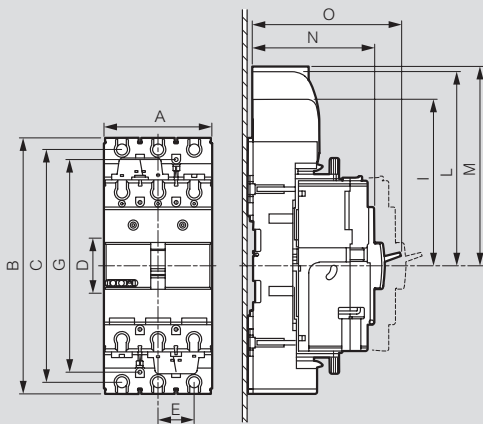


	A	B	C	D	E	F	G	H	I	L	M	N	O	P
<b>3P</b>	105	165	142,5	45	35	61,5	123	82,5	112,5	150	-	74	100	18
<b>4P</b>	140	165	142,5	45	35	61,5	123	82,5	112,5	150	-	74	100	18
<b>e.l.c.bs</b>	140	195	172,5	45	35	61,5	153	82,5	112,5	150	-	74	100	18

### Fixed version with earth leakage module

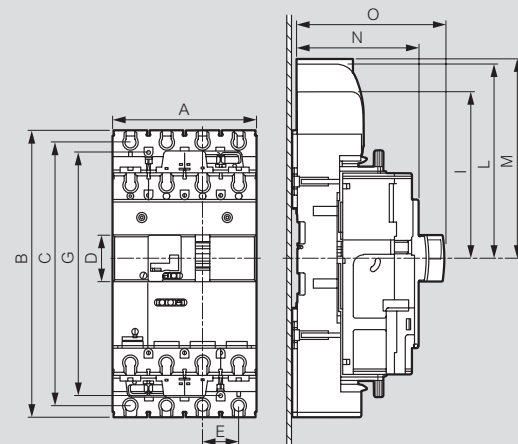


### Plug-in version



	A	B	C	D	E	F	G	H	I	L	M	N	P
<b>3P</b>	105	248	225,5	45	35	103	206	150	180	217,5	-	122	148
<b>4P</b>	140	278	225,5	45	35	103	236	150	180	217,5	-	122	148
<b>e.l.c.bs</b>	140	278	225,5	45	35	103	236	150	180	217,5	-	122	148

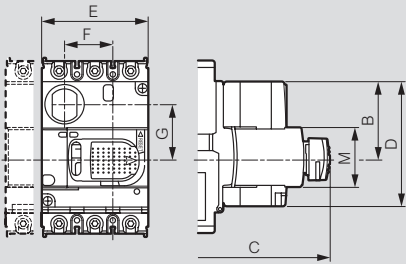
### Plug-in version with earth leakage module



# DPX<sup>3</sup> 160/250 accessories

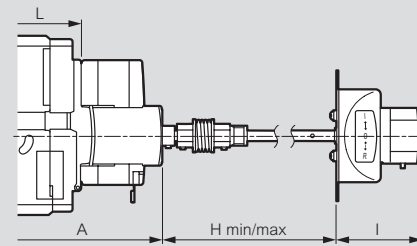
## Dimensions

Direct rotary handles Cat.Nos 4 210 00/01/02/03

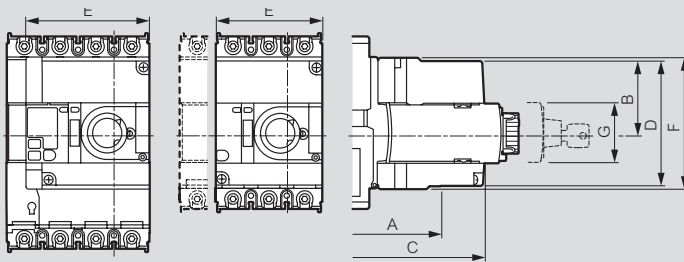


	A	B	C	D	E	F	G	H min	H max	I	L	M
<b>160</b>	122	57	155	94	80.5	36.5	41.7	132	361	62	74	45
<b>160 with e.l.c.bs</b>	122	57	155	94	93	36.5	41.7	132	361	62	74	45
<b>250</b>	122	57	155	94	80.5	40.5	41.7	132	361	62	74	45
<b>250 with e.l.c.bs</b>	122	57	155	94	93	40.5	41.7	132	361	62	74	45
<b>250 electronic release</b>	122	57	155	94	93	40.5	41.7	132	361	62	74	45
<b>250 electronic release with e.l.c.bs</b>	122	57	155	94	93	40.5	41.7	132	361	62	74	45

Vari-depth rotary handles Cat.Nos 4 210 04/05

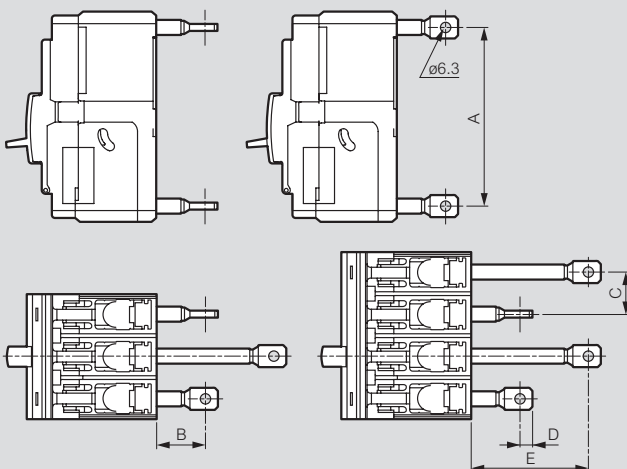


Front motor-driven handle Cat.No 4 210 61



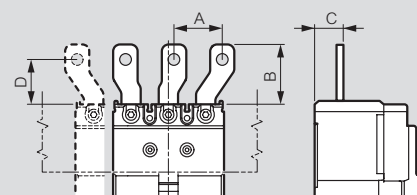
	A	B	C	D	E	F	G	H
<b>160</b>	125	54.5	154	94	80.5	99	45	74
<b>160 with e.l.c.bs</b>	125	54.5	154	94	93	99	45	74
<b>250</b>	125	54.5	154	94	80.5	99	45	74
<b>250 with e.l.c.bs</b>	125	54.5	154	94	93	99	45	74
<b>250 electronic release</b>	125	54.5	154	94	93	99	45	74
<b>250 electronic release with e.l.c.bs</b>	125	54.5	154	94	93	99	45	74

Rear terminals Cat.Nos 4 210 36/37/38/39



	A	B	C	D	E
<b>160</b>	115	35	27	21.5	79
<b>160 with e.l.c.bs</b>	145	35	27	21.5	79
<b>250</b>	142.5	36	35	22.5	80
<b>250 with e.l.c.bs</b>	172.5	36	35	22.5	80

Incoming spreaders Cat.Nos 4 210 32/33/34/35



	A	B	C	D
<b>160</b>	35	41	23	33
<b>160 with e.l.c.bs</b>	35	41	23	33
<b>250</b>	48.5	55	23	39
<b>250 with e.l.c.bs</b>	48.5	55	23	39

# DPX<sup>3</sup> 160/250

## Technical characteristics (at 40 °C and 50 °C)

MCCBs		DPX <sup>3</sup> 160 thermal magnetic				DPX <sup>3</sup> 160 with electronic earth leakage module			
		16 kA	25 kA	36 kA	50 kA	16 kA	25 kA	36 kA	50 kA
Nominal current In (A)		16-25-40-63-80-100-125-160				16-25-40-63-80-100-125-160			
Rated insulation voltage (V)	50-60Hz	800				500			
Rated operational voltage (V)	50-60Hz	690				500			
Rated impulse withstand current Uimp (kV)		8				6			
Category of use		A				A			
Ultimate breaking capacity (kA) in AC	220/240 V~	25	35	50	65	25	35	50	65
	380/415 V~	16	25	36	50	16	25	36	50
	440/460 V~	10	18	25	30	10	18	25	30
	480/500 V~	8	10	12	15	8	10	12	15
	600 V~	6	8	10	12	-	-	-	-
Standard breaking capacity Ics (% Icu)	690 V~	5	5	8	10	-	-	-	-
Short-circuit making capacity Icm (kA)	415 V~	100	100	100	100	100	100	100	100
		32	52.5	75.6	105	32	52.5	75.6	105

MCCBs		DPX <sup>3</sup> 250 thermal magnetic				DPX <sup>3</sup> 250 thermal magnetic with electronic earth leakage module			
		25 kA	36 kA	50 kA	70 kA	25 kA	36 kA	50 kA	70 kA
Nominal current In (A)		100-160-200-250				100-160-200-250			
Rated insulation voltage (V)	50-60Hz	800 (with integrated e.l.c.bs: 500)				800 (with integrated e.l.c.bs: 500)			
Rated operational voltage (V)	50-60Hz	690 (with integrated e.l.c.bs: 500)				690 (with integrated e.l.c.bs: 500)			
Rated impulse withstand current Uimp (kV)		8				8			
Category of use		A				A			
Ultimate breaking capacity (kA) in AC	220/240 V~	40	60	80	100	40	60	80	100
	380/415 V~	25	36	50	70	25	36	50	70
	440/460 V~	20	30	40	60	20	30	40	60
	480/500 V~	10	25	30	40	8	16	18	20
	600 V~	9	20	22	25	-	-	-	-
Standard breaking capacity Ics (% Icu)	690 V~	8	16	18	20	8	16	18	20
		100	100	100	100	100	100	100	100

MCCBs		DPX <sup>3</sup> 250 electronic release				DPX <sup>3</sup> 250 electronic release			
		25 kA	36 kA	50 kA	70 kA	25 kA	36 kA	50 kA	70 kA
Nominal current In (A)		40-100-160-250				40-100-160-250			
Rated insulation voltage (V)	50-60Hz	800 (with integrated e.l.c.bs: 500)				800 (with integrated e.l.c.bs: 500)			
Rated operational voltage (V)	50-60Hz	690 (with integrated e.l.c.bs: 500)				690 (with integrated e.l.c.bs: 500)			
Rated impulse withstand current Uimp (kV)		6				6			
Category of use		A				A			
Ultimate breaking capacity (kA) in AC	220/240 V~	40	60	80	100	40	60	80	100
	380/415 V~	25	36	50	70	25	36	50	70
	440/460 V~	20	30	40	60	20	30	40	60
	480/500 V~	10	25	30	40	8	16	18	20
	600 V~	9	20	22	25	-	-	-	-
Standard breaking capacity Ics (% Icu)	690 V~	8	16	18	20	8	16	18	20
		100	100	100	100	100	100	100	100



Functioning in particular conditions  
(temperature and altitude derating)  
**see technical sheets**



DPX<sup>3</sup> tripping curves  
**see technical sheets**