

0 362 50

2

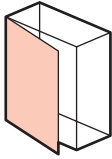
3

0 362 51/52/55/56/61/63/64/
71/72/75/76/81/83/84

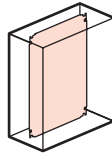
4

8

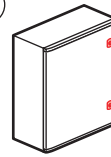
(A)



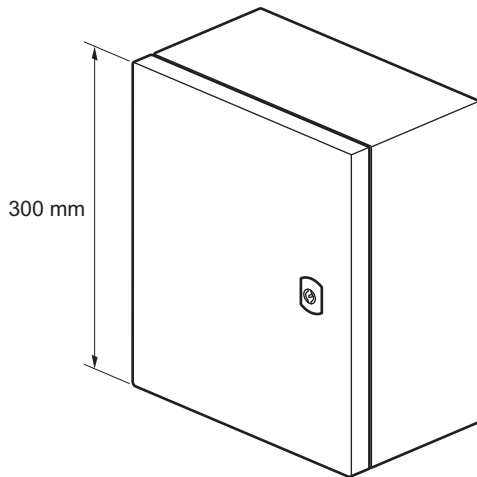
(B)



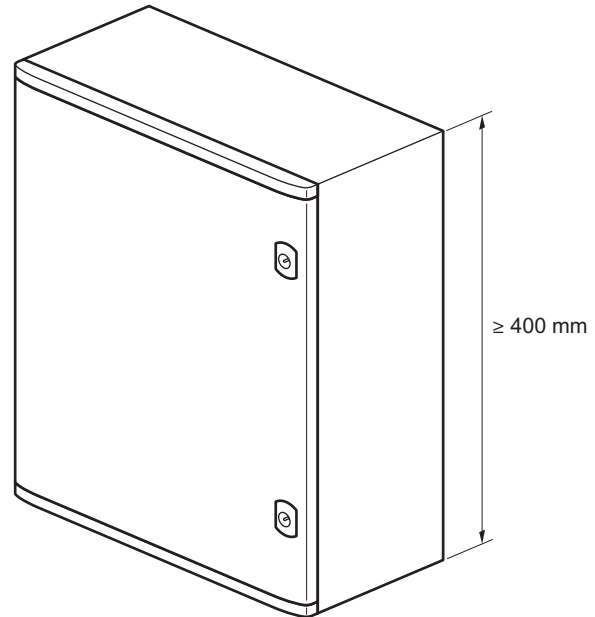
(C)



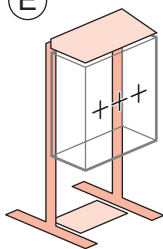
0 362 50



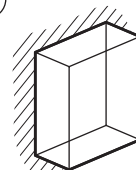
0 362 XX



(E)

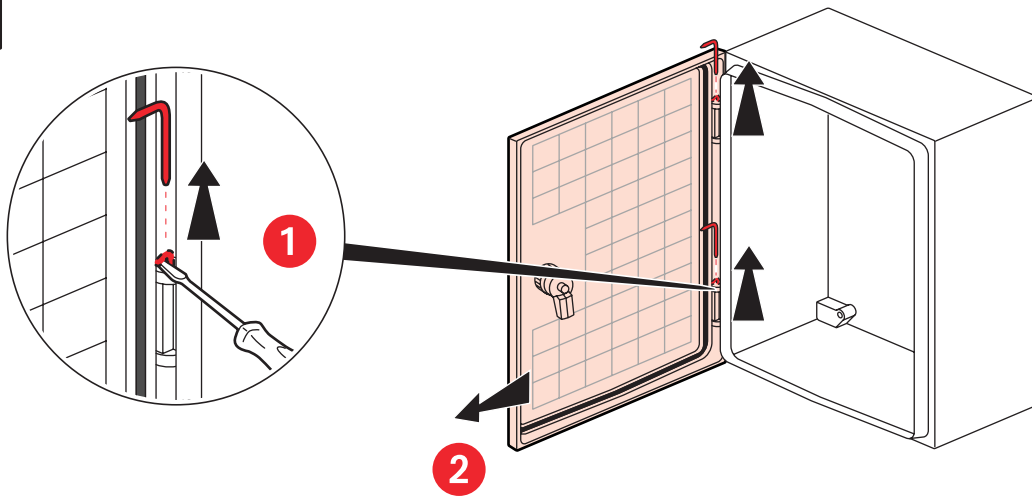
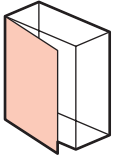


(D)



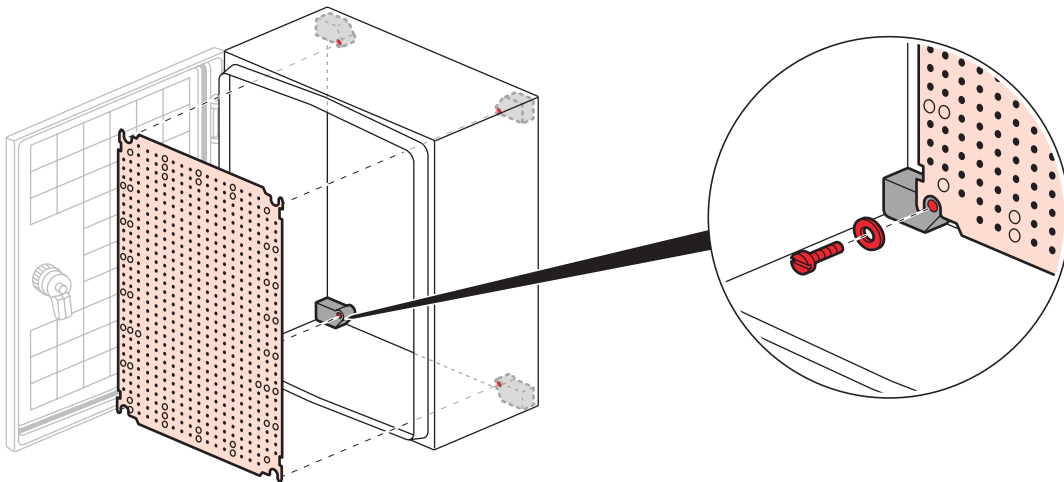
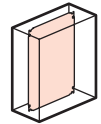
0 362 50

(A)

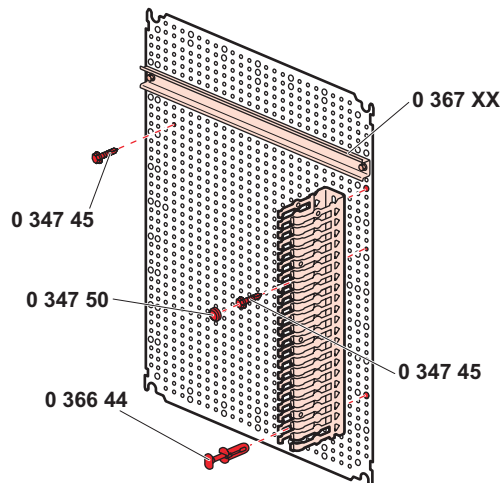


0 362 50

(B)

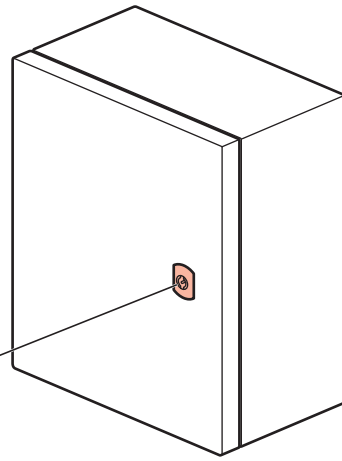
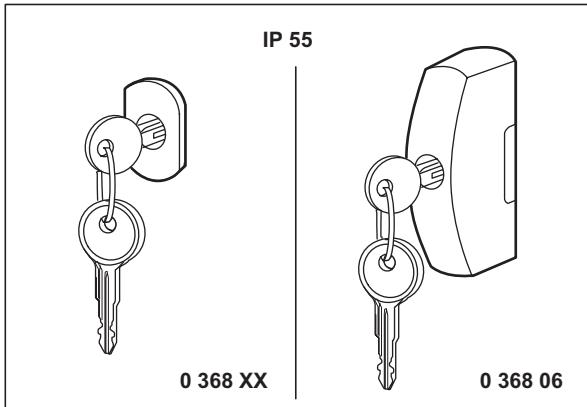
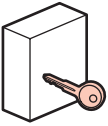


Lina 12,5



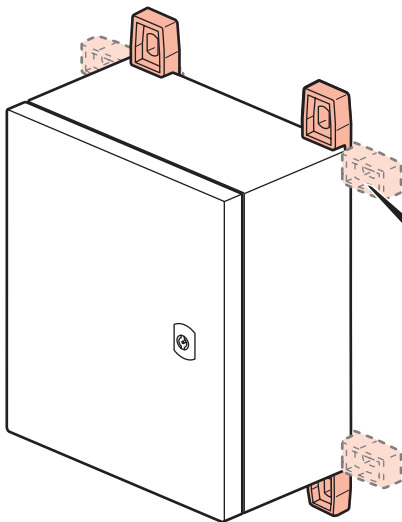
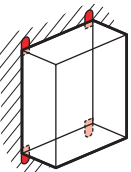
0 362 50

C

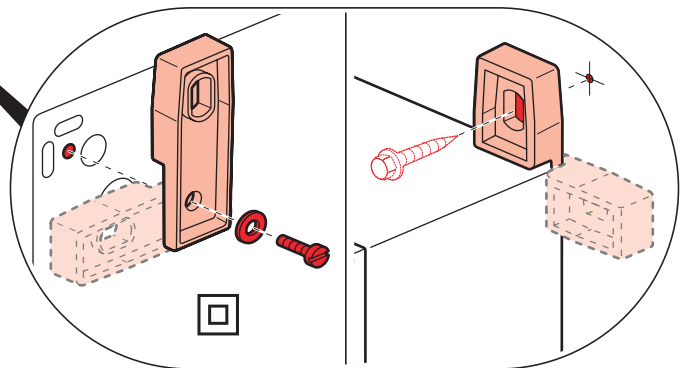
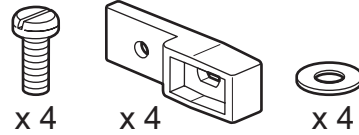


0 362 50

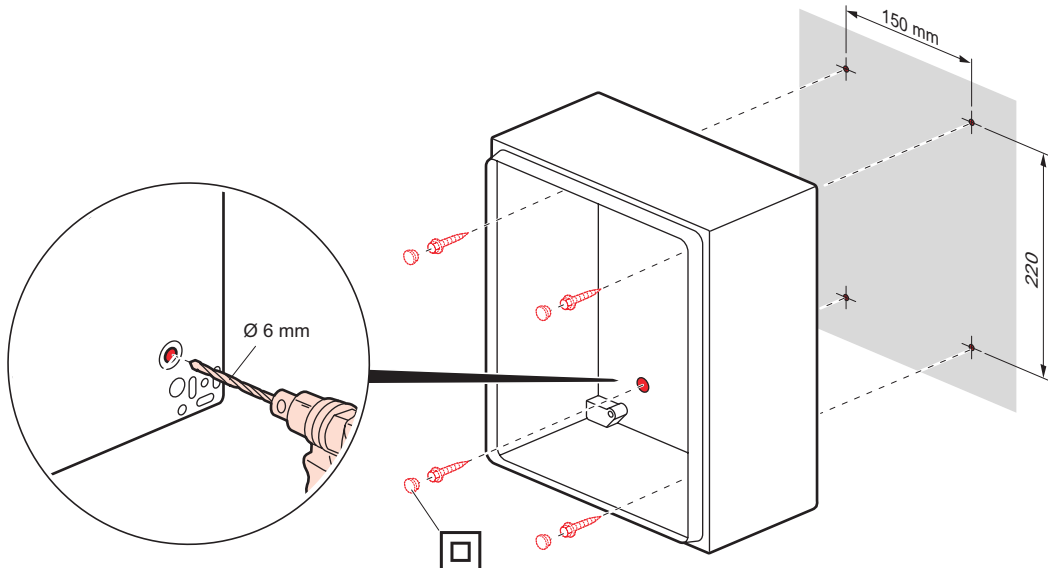
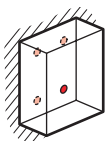
D



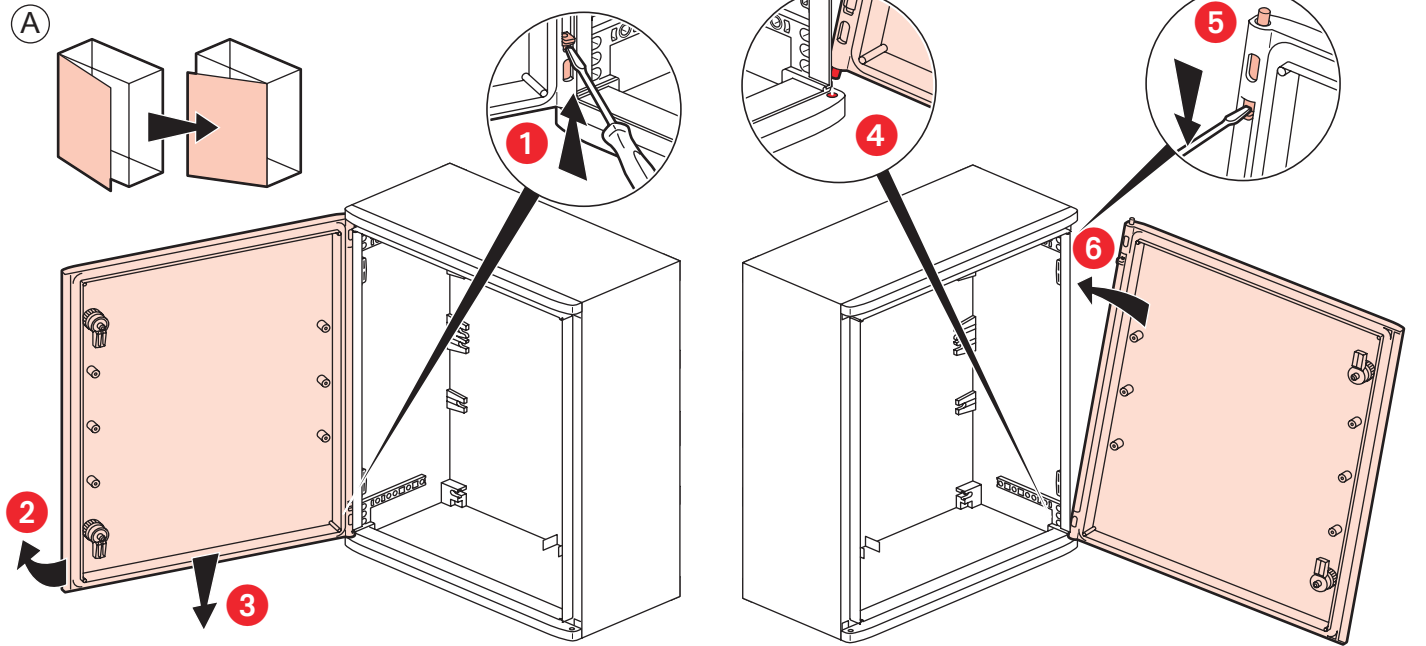
0 364 08



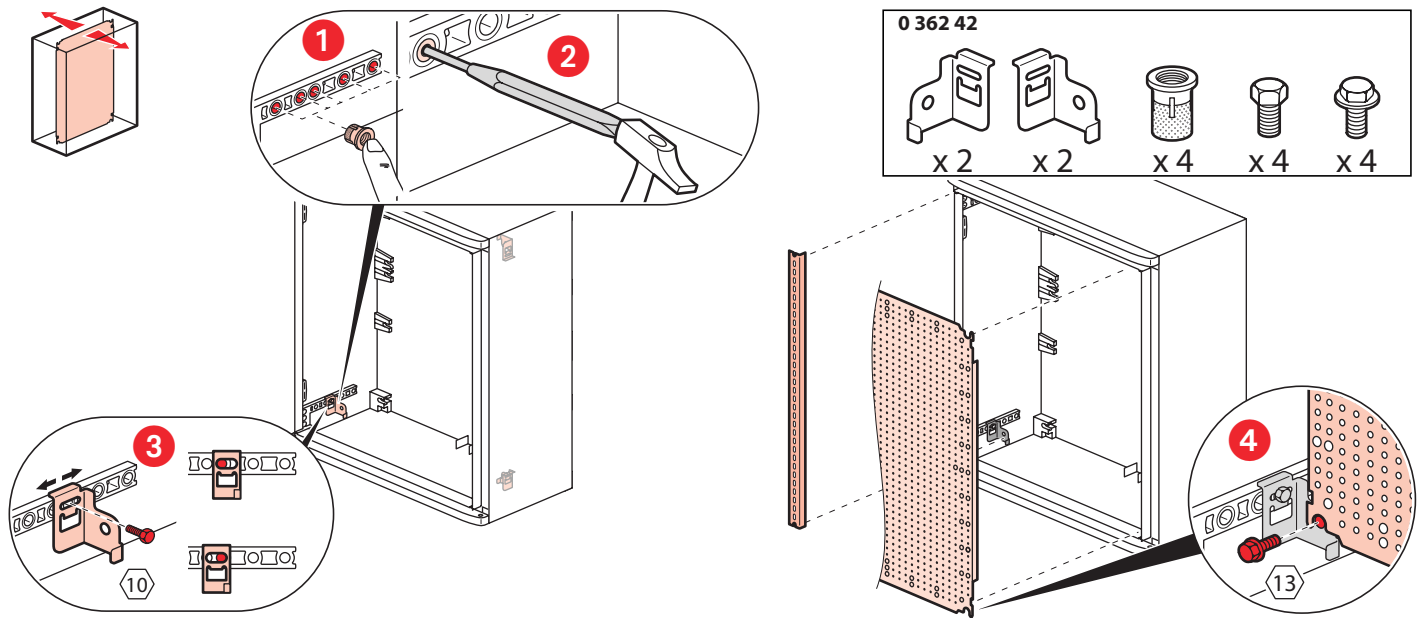
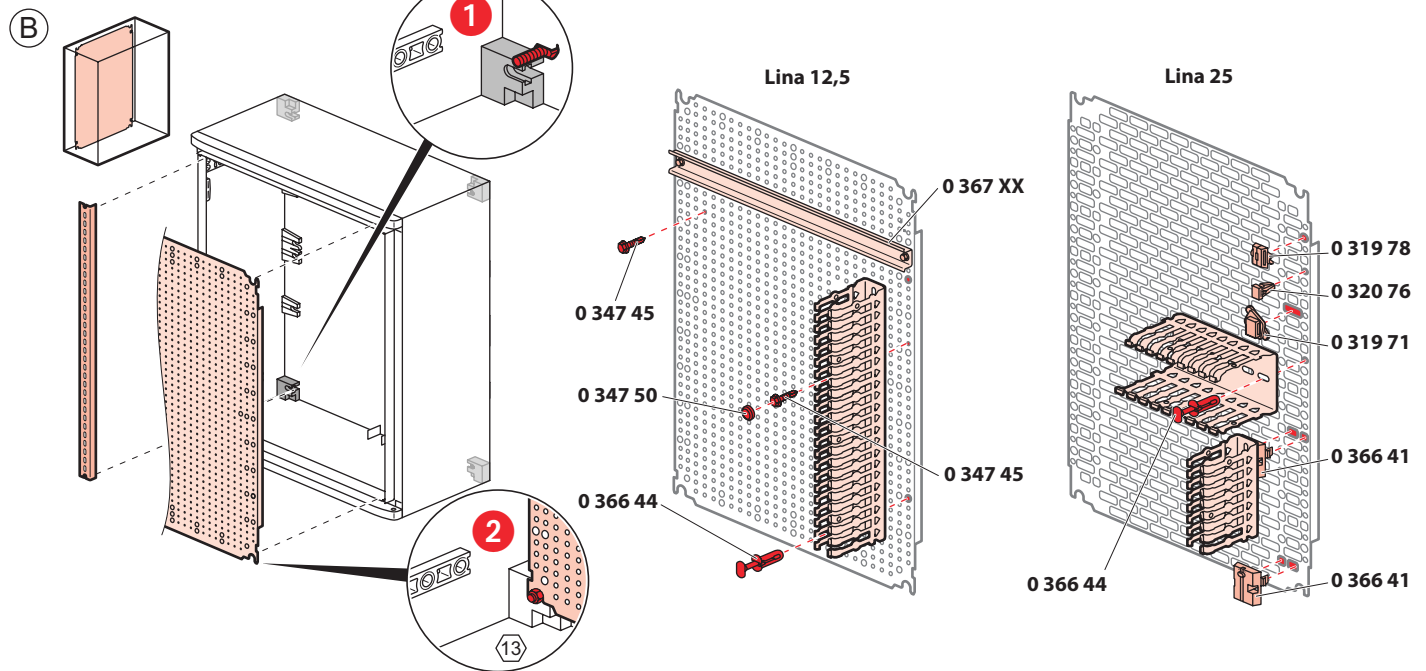
D₁

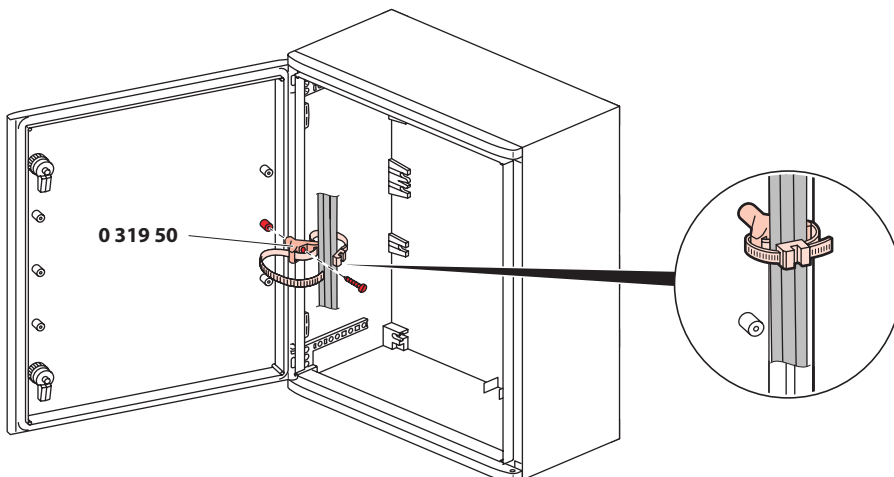
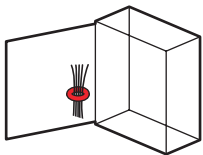
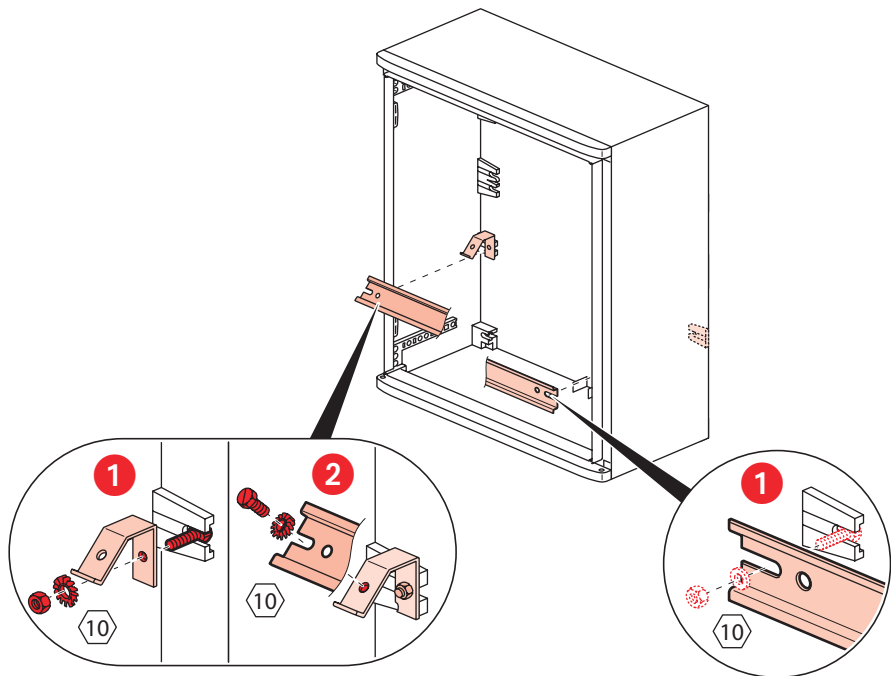
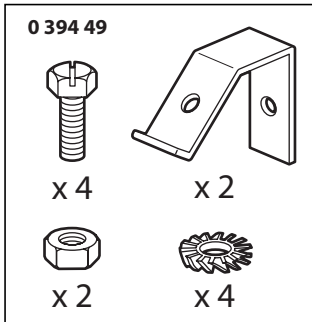
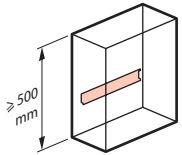
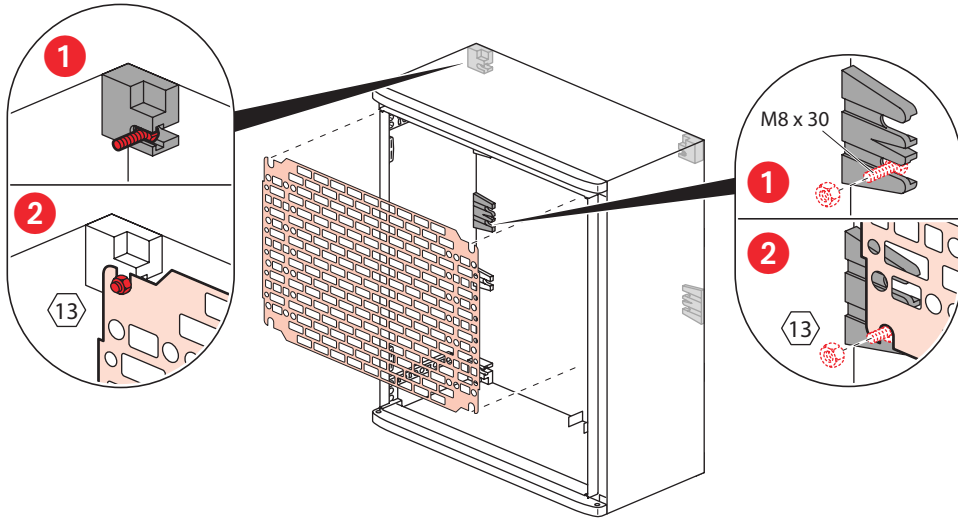
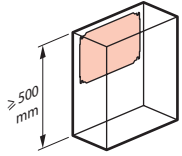


0 362 51,, 0 362 84

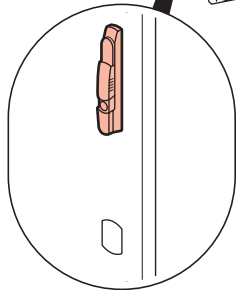
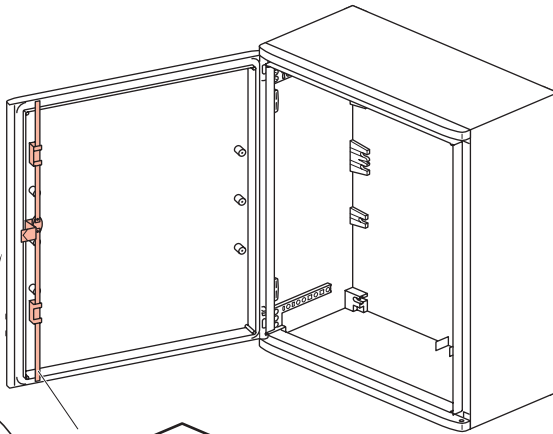
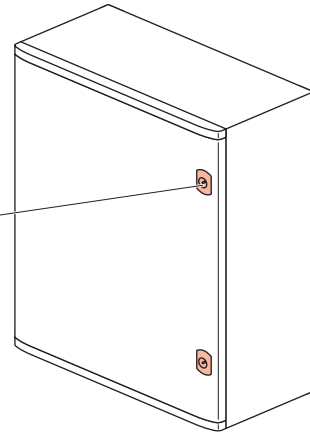
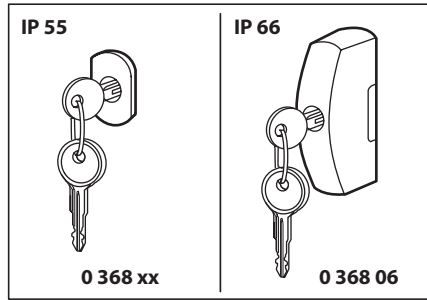
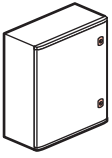


0 362 51,, 0 362 84

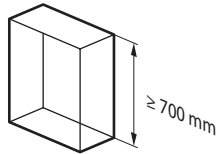




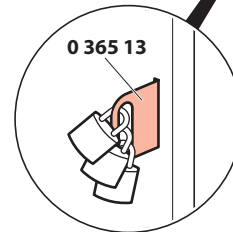
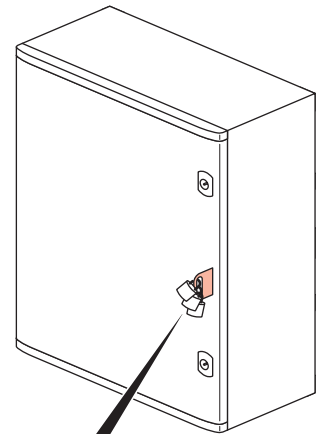
C



0 368 07



≥ 700 mm

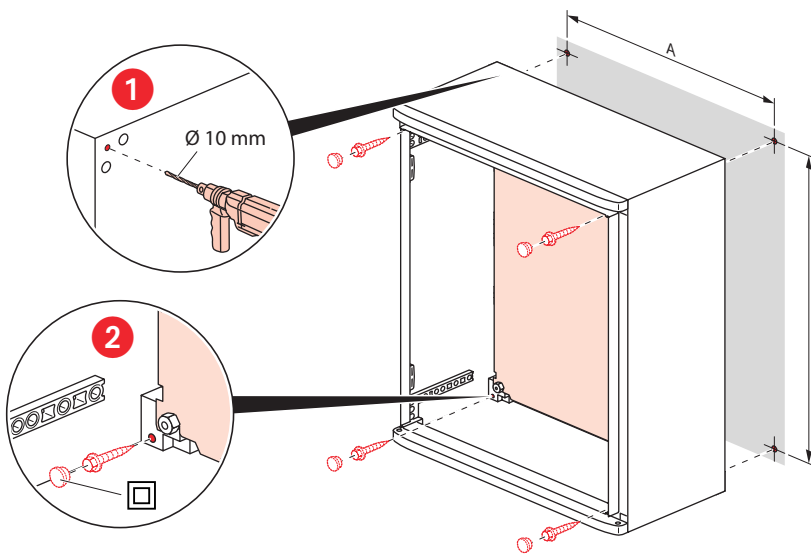
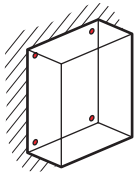
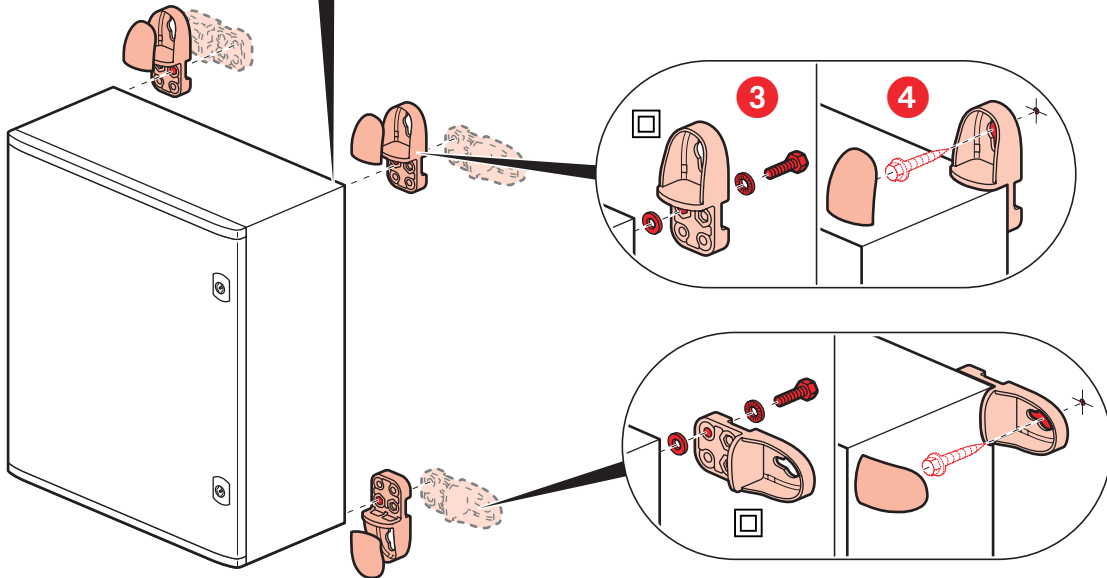
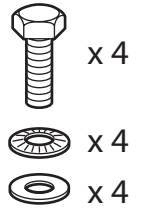
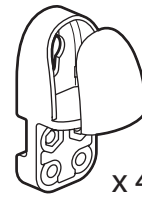
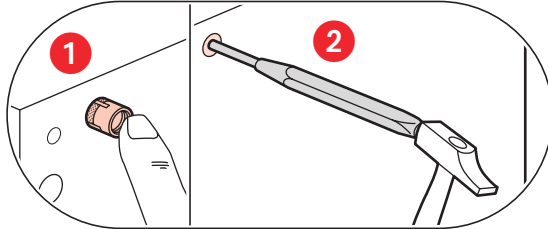
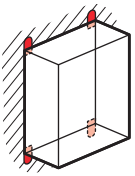


0 365 13

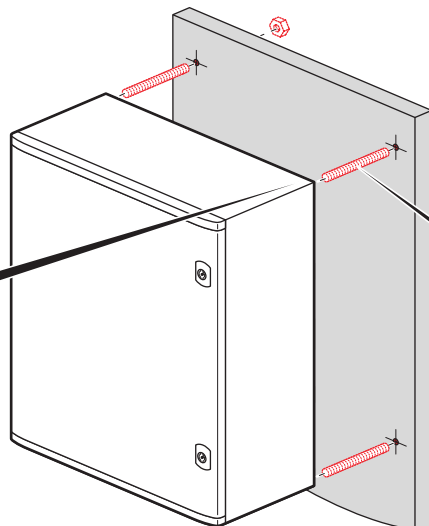
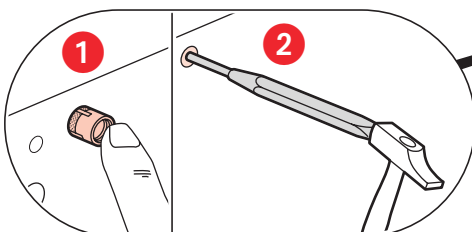
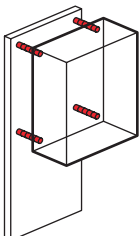
0 362 51,, 0 362 84

0 364 09

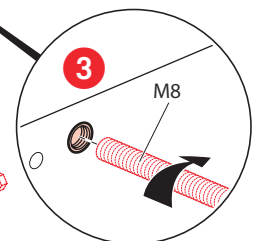
D



| | A (mm) | B (mm) |
|-------------|--------|--------|
| 0 362 51/71 | 259 | 358 |
| 0 362 52/72 | 359 | 458 |
| 0 362 55/75 | 358 | 558 |
| 0 362 56/76 | 468 | 664 |
| 0 362 61/81 | 568 | 764 |
| 0 362 63/83 | 768 | 964 |
| 0 362 64/84 | 768 | 1164 |

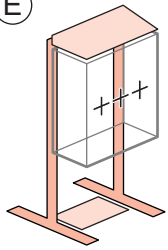


0 362 40

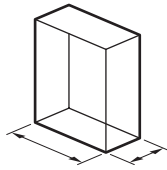


0 362 51,, 0 362 84

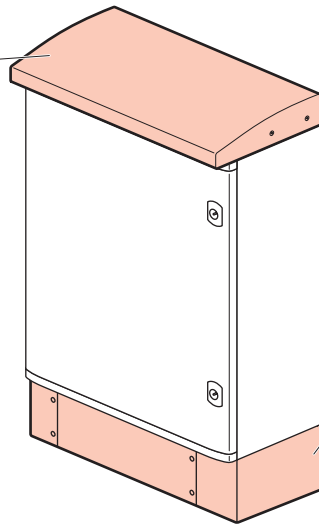
(E)



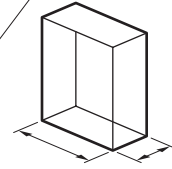
0 362 93/94/95



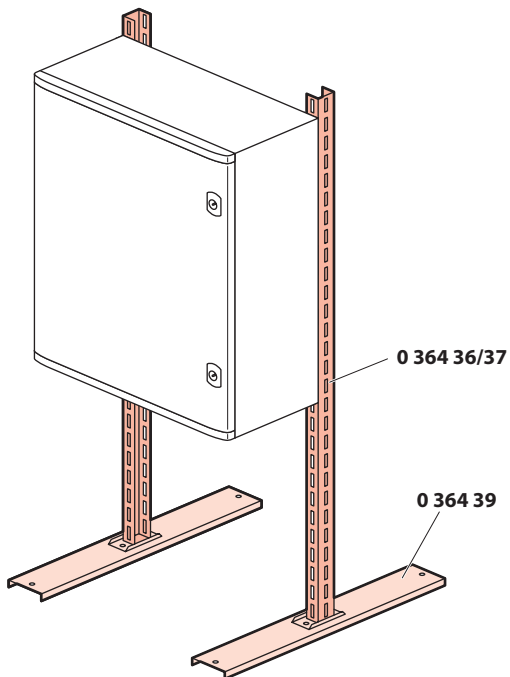
500 x 250 mm
600 x 300 mm
800 x 300 mm



0 362 91/92

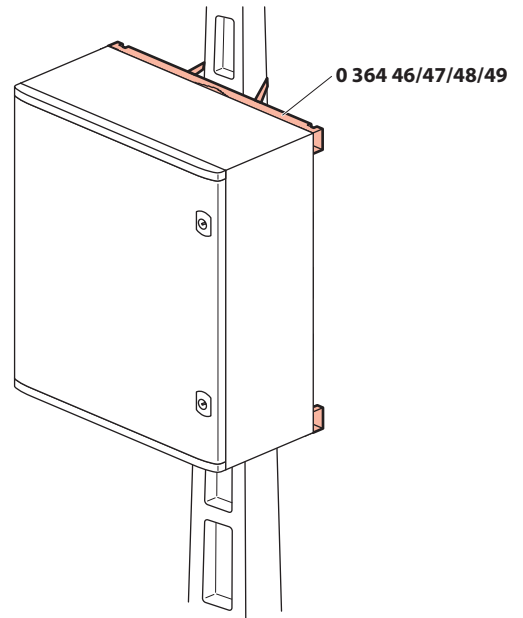


600 x 300 mm
800 x 300 mm

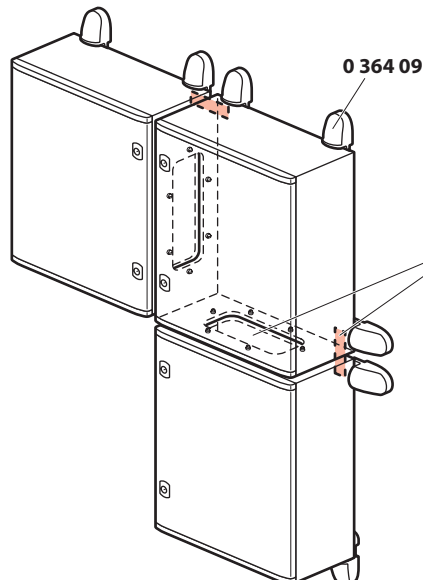


0 364 36/37

0 364 39

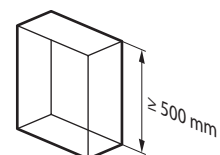


0 364 46/47/48/49



0 364 09

0 362 44



≥ 500 mm