

RX³ M.C.B. 6000 A up to 63 A
(1 module per pole)

Cat. N°(s): 4 191 33 to 4 192 58



VALIDATION

Rédacteur : S. Bellagente *Simon Bellagente*
Vérificateur : S. De Cherubini *S. De Cherubini*
Approbateur : R. Mastroianni *R. Mastroianni*

CONTENTS	PAGES
1. Description, use.....	1
2. Range.....	1
3. Overall dimensions.....	1
4. Preparation - Connection.....	1
5. General characteristics.....	2
6. Compliance and approvals.....	5
7. Equipments and accessories.....	5

1. DESCRIPTION - USE:

. Thermal-magnetic circuit breaker (MCB) with positive contact indication for control, protection against short-circuits and overloads, and isolation of electrical circuits.

Symbol :



Technology:

. Limiting device

2. RANGE

Rated currents, In:

1P, 2P, 3P:

. Curve B 6 / 10 / 13 / 16 / 20 / 25 / 32 / 40 / 50 / 63 A

. Curve C 6 / 10 / 13 / 16 / 20 / 25 / 32 / 40 / 50 / 63 A

4P:

. Curve C 10 / 13 / 16 / 20 A

Polarity:

. 1P, 2P, 3P, 4P

Width:

. 1 module per pole. Each pole is 17,7 mm

Magnetic tripping curves :

. B curve (between 3 and 5 In)

. C curve (between 5 and 10 In)

Thermal threshold according to IEC/EN 60898-1:

. Non operating current (In): 1.13 In.

. Operating current (If): 1.45 In.

Rated voltage / frequency:

. 230 V ~ / 400 V ~ - 50 / 60 Hz with standard tolerances

Maximum operating voltage:

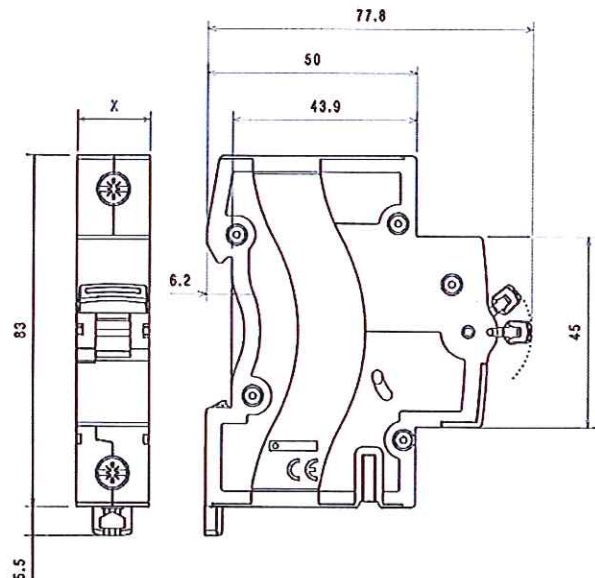
. 1P 230 V ~ ± 10%

. 2P, 3P, 4P 400 V ~ ± 10%

Breaking capacity:

. 6000 A in accordance with standard EN/IEC 60898-1

3 OVERALL DIMENSIONS



	X
1P	17.7 mm
2P	35.4 mm
3P	53.1 mm
4P	70.8 mm

4. PREPARATION - CONNECTION

Fixing:

. On symmetrical rail EN/IEC 60715 or DIN 35 rail.

Operating positions:

. Vertical Horizontal Upside down On the side

