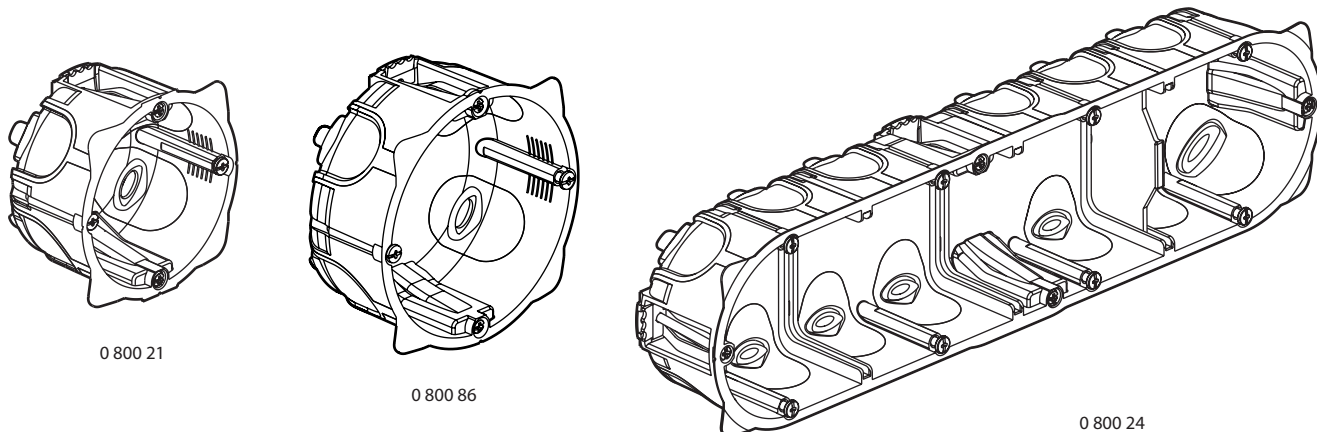


## Ecobatibox™ Dry partition boxes

Cat. No(s): 0 800 07/12/13/14/21/22/23/24/31/32/33/34/86



### 1. USE

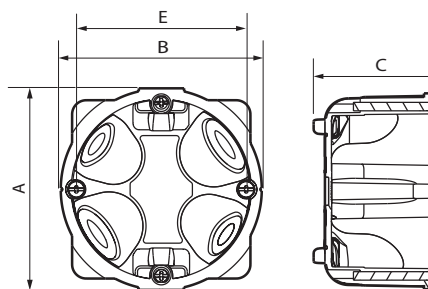
Flush-mounting boxes for dry partitions, designed to be airtight thanks to flexible entries that fit snugly around spiral conduits. Help reduce annual electricity bills by 6 kWh/m<sup>2</sup>/year. Improve occupants' comfort and the internal air quality. Optimum savings by combining blanking plates with Ecobatibox boxes. Particularly suitable for low-energy houses. Boxes for mounting screw- or claw-fixing accessories. Fixed on the frame using wide metal clamps. For horizontal or vertical use only.

### 2. RANGE

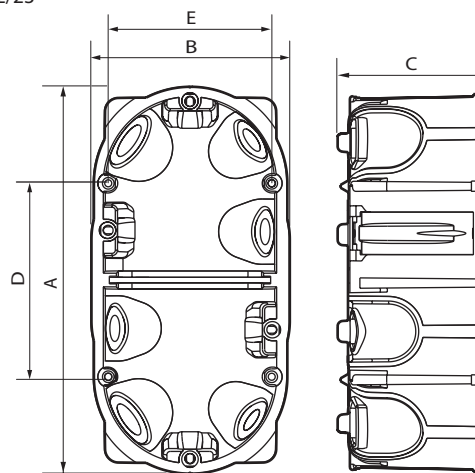
SINGLE-GANG BOXES	Depth 40 mm	Depth 50 mm
Especially suitable for low-energy sites		
Drilling Ø 67 mm For mounting screw- or claw-fixing accessories	0 800 21	0 800 31
Batches of 100 x 1-gang boxes	0 800 12	0 800 13
Batches of 300 x 1-gang boxes, packed in bags of 50 boxes	0 800 07	0 800 14
MULTI-GANG BOXES	Depth 40 mm	Depth 50 mm
Drilling Ø 67 mm - Fixing centre 71 mm For mounting screw-fixing accessories Supplied with 1 removable divider for accommodating extended functions (prewired sockets)		
2-gang - 4/5 modules	0 800 22	0 800 32
3-gang - 6/8 modules	0 800 23	0 800 33
4-gang - 8/10 modules	0 800 24	0 800 34
SINGLE-GANG BOX	Depth 40 mm	Depth 50 mm
For 20 A sockets Cat. Nos. 0 554 52/55/57 and 32 A sockets Cat. Nos. 0 558 12/15/17		
Drilling Ø 85 mm For cable outlets Cat. No. 0 314 90	0 800 86	-

### 3. DIMENSIONS

0 800 21/31



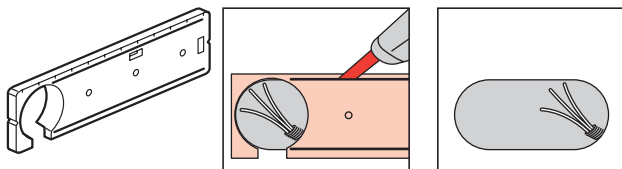
0 800 22/23



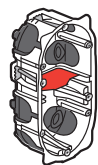
Cat. No.	A	B	C	D	E
0 800 21	71	71	40	-	60
0 800 22	142	72.8	40	71	60
0 800 23	213	72.8	40	71	60
0 800 24	285	72.8	40	71	60
0 800 31	71	71	50	-	60
0 800 32	142	72.8	50	71	60
0 800 33	213	72.8	50	71	60
0 800 34	285	72.8	50	71	60
0 800 86	88	88	45	-	80

**4. INSTALLATION**

Boxes for flush-mounting in plasterboard, plywood, wood, sheet steel.  
 Use installation template Cat. No. 0 800 77 for easier installation of multi-gang boxes  
 Drill using a Ø 67/68 mm hole saw



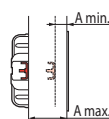
The wide flange, captive metal clamps and rigid pot structure ensure boxes are held in place securely.




Separation of mains voltage and ELV is possible using the removable dividers supplied.

Retractable fixing clamps

	Amplitude	
	A min.	A max.
Clamp-fixing		
40 mm boxes	4 mm	30 mm
50 mm boxes	9 mm	35 mm



Multiple options for cable entries (on side and back of box) which can be knocked out without the need for a tool.  
 Opening entries made easier by the detachable tab.

Cat. No.	No. of inputs (mm)
	
0 800 21	2 x 16 - 2 x 35 or 4 x 20
0 800 22	4 x 16 - 2 x 25 or 6 x 20
0 800 23	8 x 16 - 2 x 25 or 10 x 20
0 800 24	12 x 16 - 2 x 25 or 14 x 20
0 800 31	2 x 16 - 2 x 35 or 4 x 20
0 800 32	4 x 16 - 2 x 25 or 6 x 20
0 800 33	8 x 16 - 2 x 25 or 10 x 20
0 800 34	12 x 16 - 2 x 25 or 14 x 20
0 800 86	3 x 16 - 1 x 25 or 4 x 20

**TECHNICAL CHARACTERISTICS**

■ **5.1 Mechanical characteristics**

Protection against solid bodies and liquids: IP 40  
 Protection against impacts: IK 04

■ **5.2 Material characteristics**

Casing: Yellow polypropylene  
 Halogen-free  
 Glands: SEBS  
 Screws: grey hardened nickel and zinc-plated steel screws  
 Self-extinguishing:  
 850°C/30 s for insulating components holding live parts in place.  
 650°C/30 s for other insulating components.

■ **5.3 Climate characteristics**

Storage temperature: -10°C to +70°C  
 Usage temperature: -5°C to +50°C

**STANDARDS AND APPROVALS**

Compliant with installation and manufacturing standards.  
 See e-catalogue.