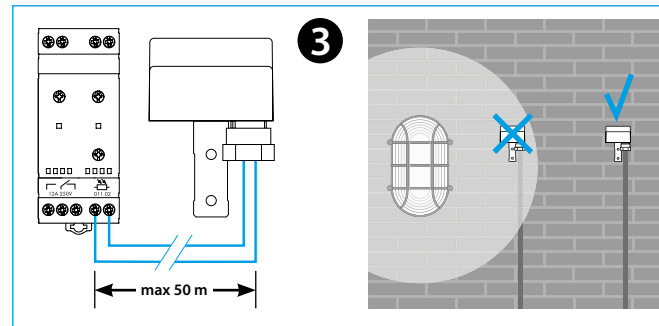
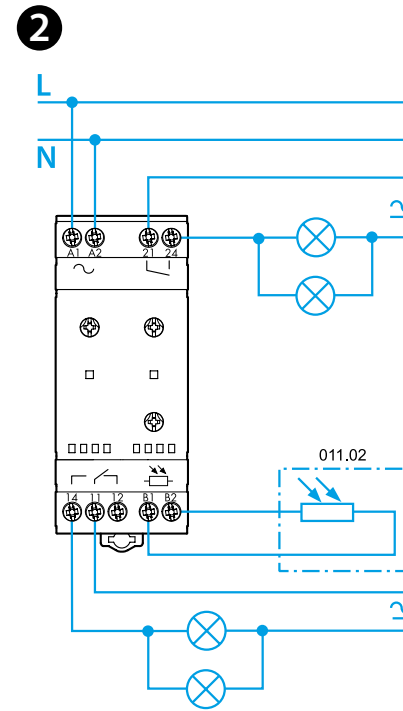
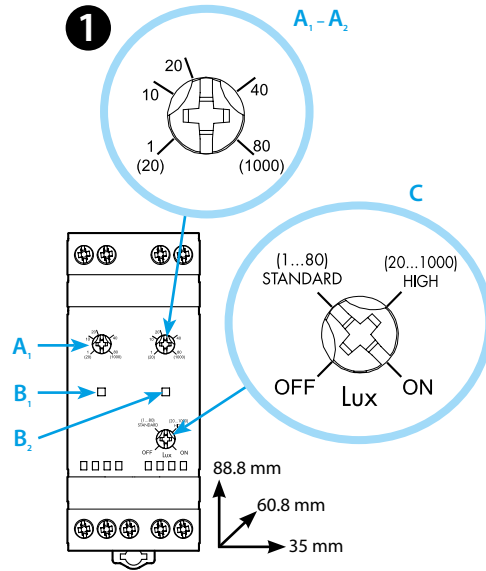
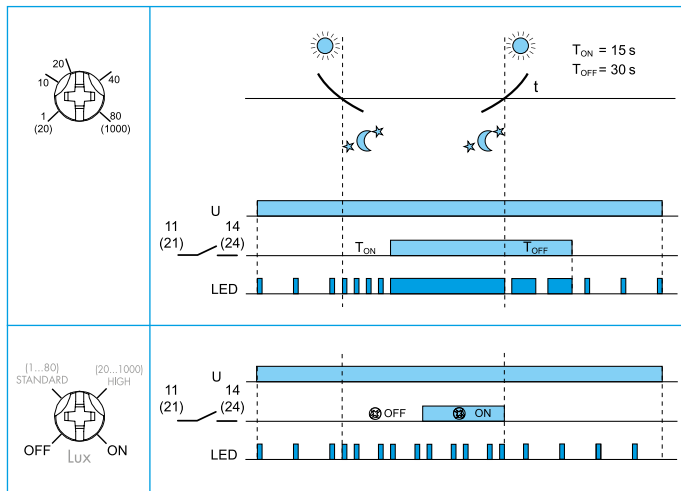




11.42

EN 60669-1 / EN 60669-2-1	
	11.42.8.230.0000 U_N 230 V AC (50/60 Hz) U_{min} 184 V AC U_{max} 253 V AC
	1 CO (SPDT) + 1 NO (SPST-NO) 12 A 250 V AC μ
	(230 V AC) 2000 W
	(230 V AC) 750 W
IP20	

(1...80)lx - (20...1000)lx	
	(-20...+50)°C
TON = 15s	
TOFF = 30s	



ENGLISH

11.42 LIGHT DEPENDENT RELAY

- 1 FRONT VIEW**
- A1** Lux level setting (contact 11-14-12)
 - A2** Lux level setting (contact 21-24)
 - B1/B2** LED
 - C** Selector 4 positions:
 - OFF
 - STANDARD (1...80)lx
 - HIGH (20...1000)lx
 - ON

2 CONNECTION DIAGRAM

3 IMPORTANT FOR INSTALLATION

The relay must be installed in a protective panel. It is recommended to install the photosensor such that the light emitted from the controlled lamp(s) does not influence the sensor. Avoid light interference due, for example, to car beams, neon signs etc. The photocell must be installed vertically in a place where it can be activated by sunlight only.

TESTING

Over the first 6 working cycles the On and Off delay times are reduced to zero in order to aid installation. The packaging can be used to darken the photocell in order to test or regulate the relay.

NOTE

- 2 independent outputs with individual lux setting
- 35 mm rail mount (EN 60715)
- 011.02 - Photosensor IP54. Cable: \varnothing (7.5...9) mm
- Cable suggested: H07RN-F (2x1.5 mm²)
- Maximum cable length relay to light sensor: 50 m. (2x1.5 mm²)