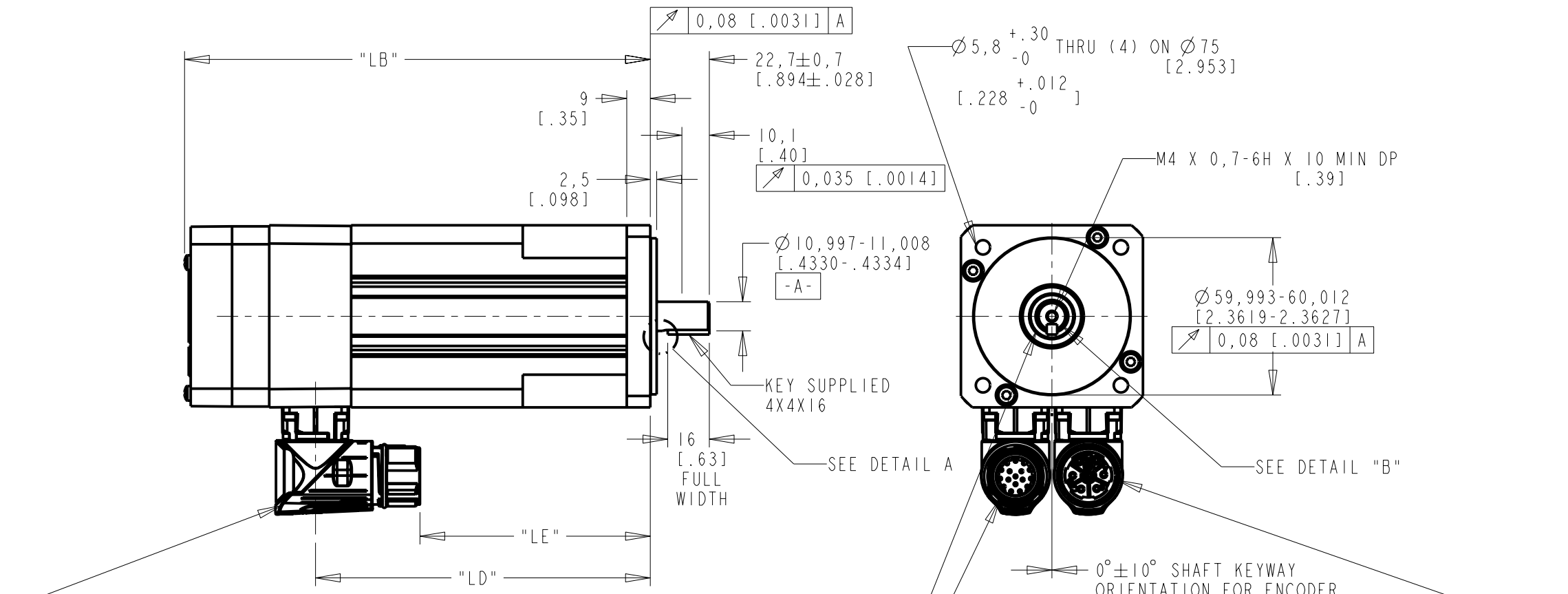
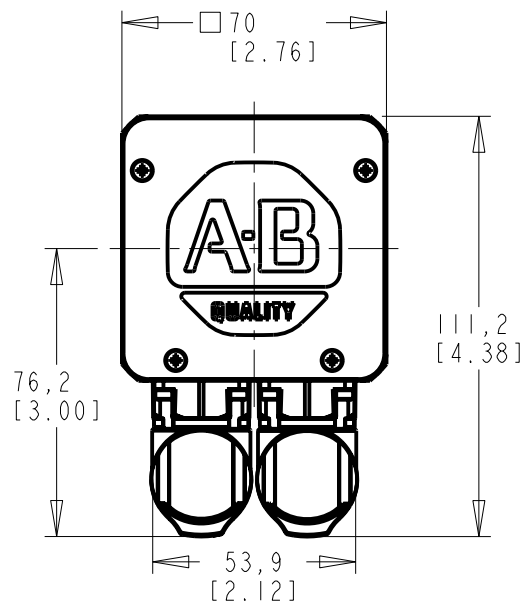
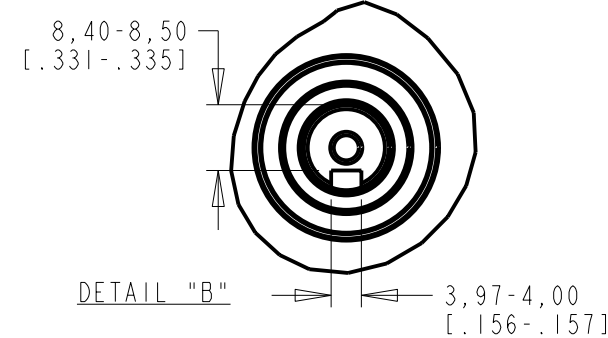
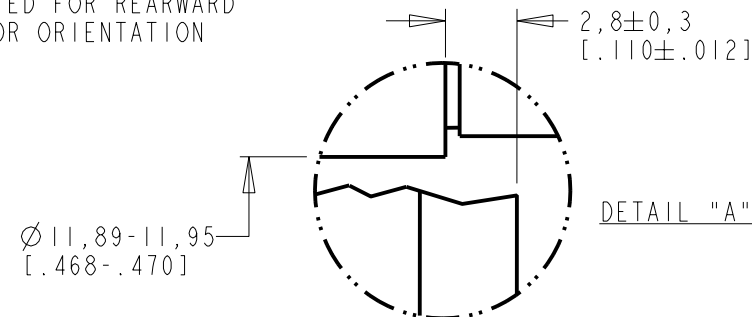


1 2 3 4 5 6 7 8

A
B
C
D
E
F
G
H



CONNECTOR HOUSINGS MAY BE ROTATED FOR REARWARD CONNECTOR ORIENTATION



MODEL	LB	LD	LE
MPL-B210	153,6 [6.05]	103,2 [4.06]	63,1 [2.48]
MPL-B220	179,1 [7.05]	128,7 [5.07]	88,6 [3.49]
MPL-B230	204,6 [8.06]	154,2 [6.07]	114 [4.49]

PIN-OUT	
POWER CONNECTOR	
PIN	FUNCTION
A	U
B	V
C	W
⊕	GROUND
E	-
F	MBR+
G	MBR-
H	-
L	-

PIN-OUT	
ENCODER CONNECTOR	
PIN	FUNCTION
1	SIN +
2	SIN -
3	COS +
4	COS -
5	DATA +
6	DATA -
7-10	-
11	EPWR 9V
12	ECOM
13	TS +
14	TS -
15-17	-

NOTE:
 1. DXF FILE OF THIS DRAWING MUST BE SCALED TO LENGTH, SEE CHART ABOVE. MODEL SHOWN IS MPL-B220x-xJ74AA.

- 2. 3D STEP (.stp) FILES AVAILABLE AT ALL LENGTHS.
- 3. THIS DRAWING COVERS SINGLE AND MULTI-TURN ABSOLUTE ENCODER MODELS (i.e.. MPL-B2xx-EJ74AA and MPL-B2xxx-VJ74AA).

ESM,MPL-B2xxx-EJ74AA;MPL-B2xxx-VJ74AA

Drawn by: SAJOHNSON Date: 08-12-10

CONFIDENTIAL AND PROPRIETARY INFORMATION. THIS DOCUMENT CONTAINS CONFIDENTIAL AND PROPRIETARY INFORMATION OF ROCKWELL AUTOMATION, INC. AND MAY NOT BE USED, COPIED OR DISCLOSED TO OTHERS, EXCEPT WITH THE AUTHORIZED WRITTEN PERMISSION OF ROCKWELL AUTOMATION, INC.

Sheet 1 Of 1

Size	10000128174	Ver	00
------	-------------	-----	----