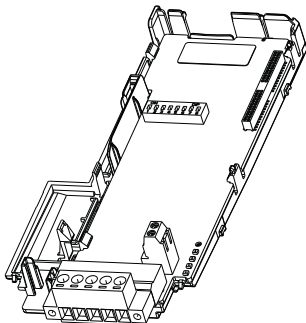


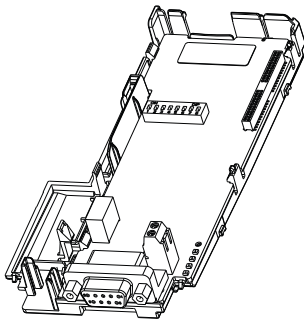


PowerFlex 520-Series Communication Adapters

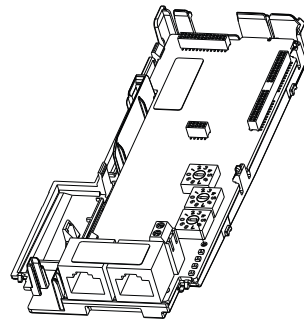
Catalog Numbers: 25-COMM-D, 25-COMM-P, 25-COMM-E2P



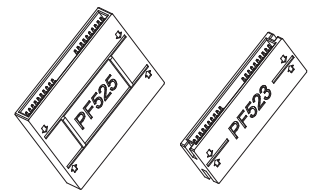
DeviceNet
25-COMM-D



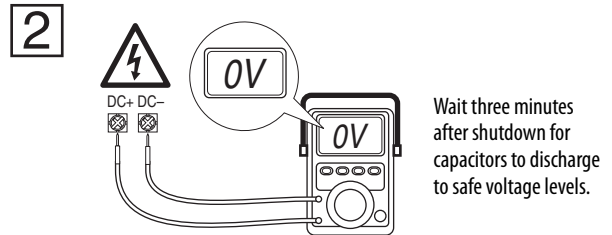
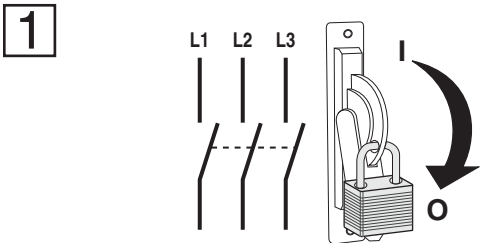
PROFIBUS DP
25-COMM-P



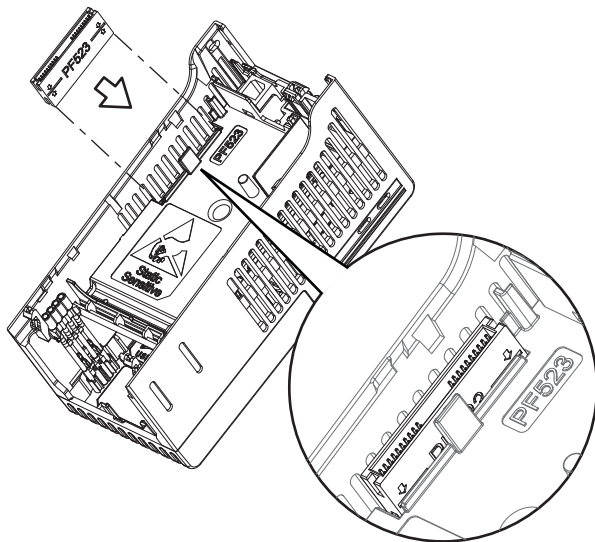
EtherNet/IP Dual Port
25-COMM-E2P



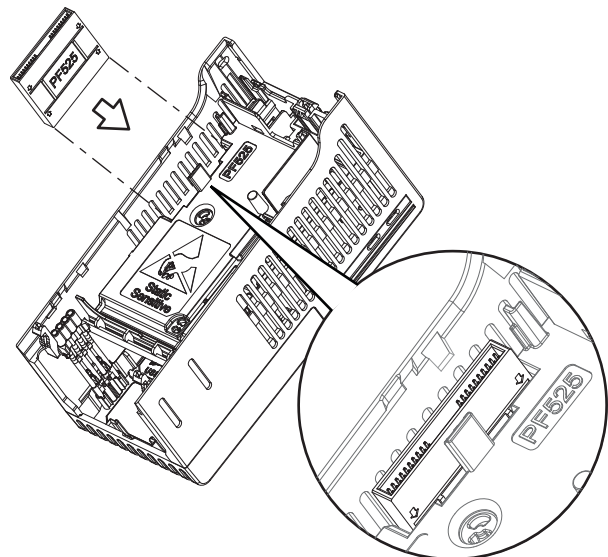
Interface connector for all
communication adapters



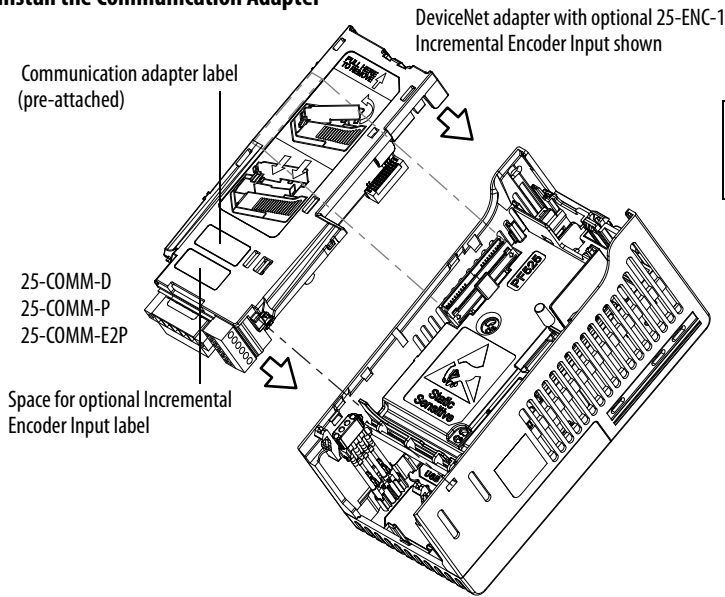
3 **Install the Communication Adapter Interface Connector
For PowerFlex 525**



For PowerFlex 525

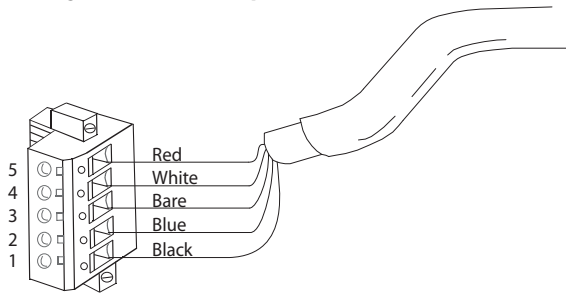


4 Install the Communication Adapter



Note: Incremental Encoder Input is for PowerFlex 525 only. You can install both the communication adapter and optional Incremental Encoder Input on the same Control Module Back Cover.

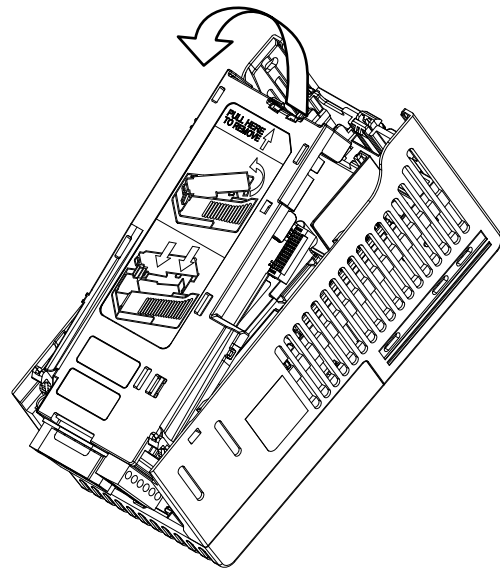
5 Wiring the DeviceNet Adapter



Terminal	Color	Signal	Function
5	Red	V+	Power Supply
4	White	CAN_H	Signal High
3	Bare	SHIELD	Shield
2	Blue	CAN_L	Signal Low
1	Black	V-	Common

Maximum Wire Size	Minimum Wire Size	Torque
3.33 mm ² (12 AWG)	0.08 mm ² (28 AWG)	0.44...0.54 Nm (3.9...4.8 lb-in)

How to Remove the Control Module Back Cover if Required



U.S. Allen-Bradley Drives Technical Support - Tel: (1) 262.512.8176, Fax: (1) 262.512.2222, E-mail: support@drives.ra.rockwell.com
 Online: www.ab.com/support/abdrives

Allen-Bradley, Rockwell Software, Rockwell Automation, PowerFlex, and TechConnect are trademarks of Rockwell Automation, Inc.
 Trademarks not belonging to Rockwell Automation are property of their respective companies.

www.rockwellautomation.com

Power, Control and Information Solutions Headquarters

Americas: Rockwell Automation, 1201 South Second Street, Milwaukee, WI 53204-2496 USA, Tel: (1) 414.382.2000, Fax: (1) 414.382.4444
 Europe/Middle East/Africa: Rockwell Automation NV, Pegasus Park, De Kleetlaan 12a, 1831 Diegem, Belgium, Tel: (32) 2 663 0600, Fax: (32) 2 663 0640
 Asia Pacific: Rockwell Automation, Level 14, Core F, Cyberport 3, 100 Cyberport Road, Hong Kong, Tel: (852) 2887 4788, Fax: (852) 2508 1846